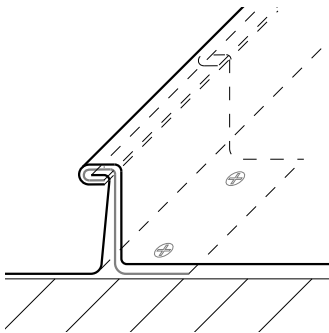
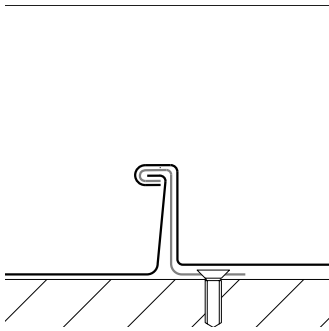


## single lock standing seam - zinc



<b>Application:</b>	Cladding
<b>Suitable Materials:</b>	All VM Zinc colours
<b>Direction:</b>	Vertical & horizontal
<b>Material Thickness:</b>	0.7 mm & 0.8 mm.( 0.8 mm recommended)
<b>Sheet width:</b>	430 mm centres. Max. width is 500 mm when using 0.8 mm if panels does not exceed 4000 mm in length. Can be customized to suit windows and penetrations.
<b>Sheet length:</b>	430 mm panels: 6000 mm. for 0.8 mm & 4000 mm for 0.7 mm 500 mm panels: 4000 mm for 0.8 mm
<b>Fixing:</b>	Stainless steel clips. Max distance 330 mm. Counter sunk stainless steel screws.
<b>Expansion:</b>	If sheet size exceeds 1500 mm in length, expansion in fixing must be allowed for.
<b>Support for Zinc:</b>	Plywood, 15 mm CD grade, AS to 2269
<b>Separation:</b>	TYVEK Home Wrap to protect plywood from condensation
<b>Ventilation:</b>	Min. 25 mm space behind plywood, for breathing.
<b>Backing for plywood:</b>	Rafter/purlings. For concrete or block work structure use galvanized top hats 1.15 x 24 mm Max distance 600 mm.

