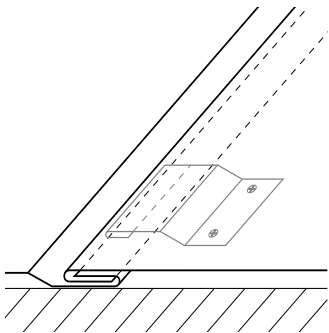
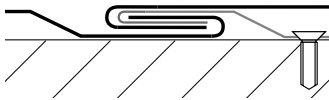


flat lock panels with recess - zinc



Application:	Cladding
Suitable Materials:	All VM Zinc colours
Direction:	Vertical & horizontal
Material Thickness:	0.7 mm. & 0.8 mm
Sheet Width:	Max. 430 mm
Sheet Length:	Max. 4000 mm
Fixing:	Max distance for clips 250 mm
Expansion:	If sheets exceeds 1500 mm, expansion must be allowed for
Support for Zinc:	Plywood 15 mm, CD grade, AS to 2269
Separation:	Cladding: TYVEK home wrap
Ventilation:	Must have min. 25 mm airgap behind plywood
Backing for Plywood:	Rafter/purling. For concrete/block work structure – galvanized top hats 1.15 x 24 mm Max. distance 600 mm

